

8

7

6

5

4

3

2

D

D

C

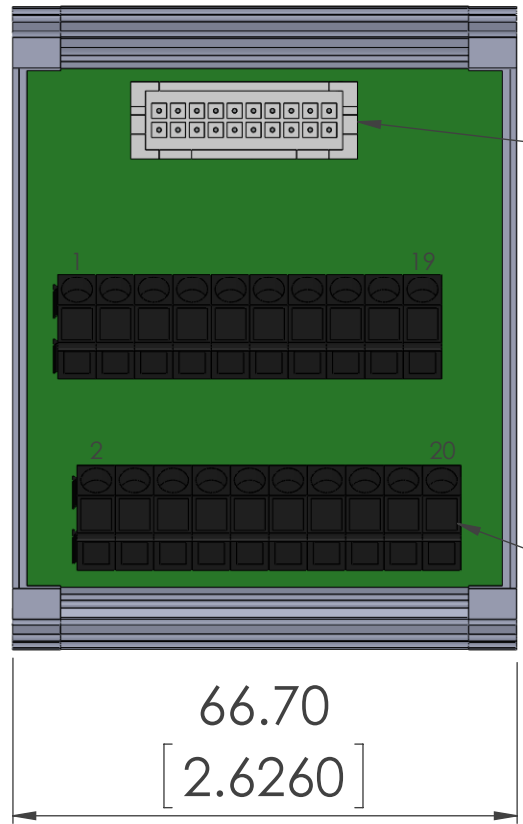
C

B

B

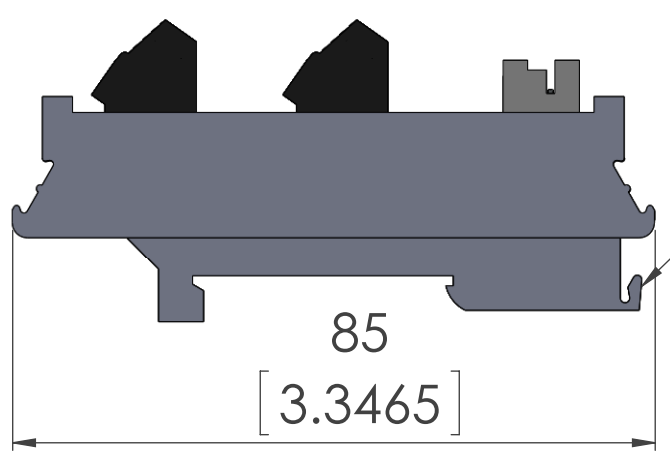
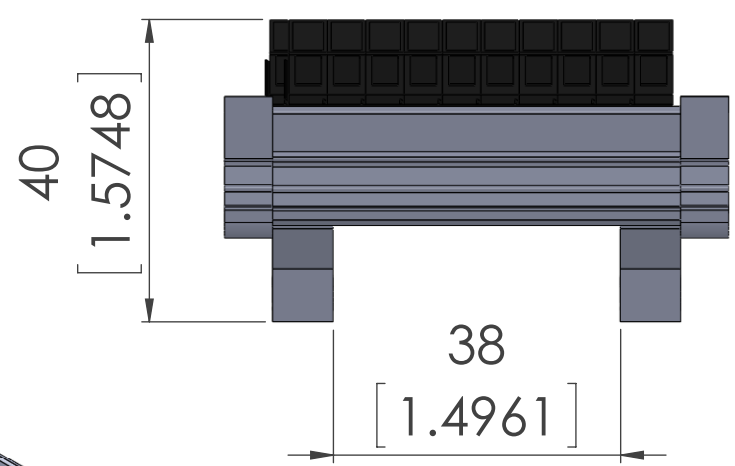
A

A

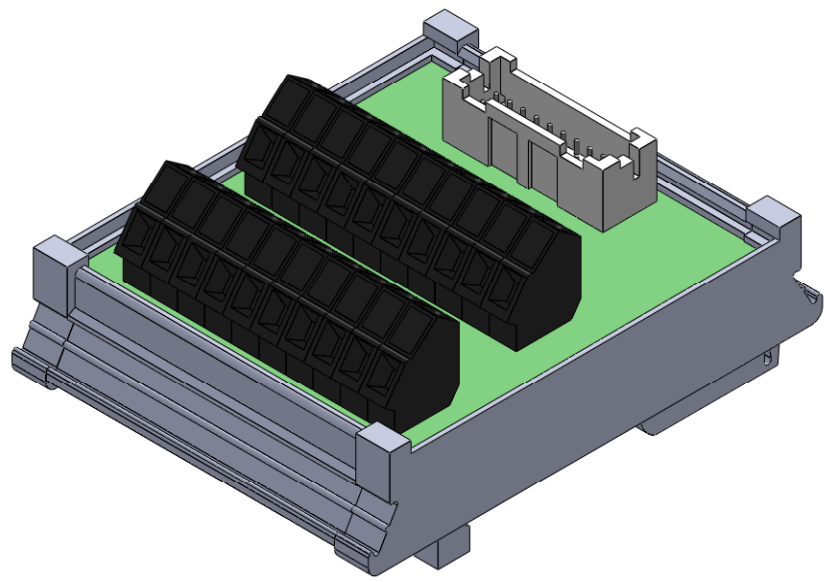


B20B-XADSS-N (JST)
Mating cable: CM2IO2-2000W

10 Position terminal block (Weidmuller)
Screw type
28~12 gauge wire



DinRail
Mounting Feet



UNITS: mm [inch]

Unless otherwise specified,
tolerance to be: CNS 4018
IT 14 Linear measures
0.5-3 ±0.1
3-6 ±0.1
6-30 ±0.2
30-120 ±0.3
120-315 ±0.5

PROPRIETARY AND CONFIDENTIAL
THE INFORMATION CONTAINED IN THIS
DRAWING IS THE SOLE PROPERTY OF
MYOSTAT MOTION CONTROL INC.
ANY REPRODUCTION IN PART OR AS A
WHOLE WITHOUT THE WRITTEN PERMISSION
OF MYOSTAT MOTION CONTROL INC.
IS PROHIBITED.

	NAME	DATE
DRAWN	M. Dank	Jun. 21, 2012
CHECKED		
ENG APPR.		

Myostat Motion Control Inc.
+1 905-836-4441
www.myostat.ca

DO NOT SCALE DRAWING		DIMENSIONS ARE METRIC	
TITLE: CM2 IO Breakout Board			
SIZE B	PRT. NO. CM2IO2-DRBS	REV 0.0	
SCALE: 1:2	WEIGHT: -	SHEET 1 OF 1	

8

7

6

5

4

3

2

1